

PHASE 3 PLASTICS LTD



THERMOFORMED PACKAGING



OTHER PRODUCTS

- Blister Packs
- Procedure Trays
- Folding Packs
- Retail Packaging
- Protection and production handling products for avionics, electronics, construction, engineering, optical, shipping and vehicle industries.

2-4 William Street
Northam
Southampton
Hampshire
SO14 5QH
United Kingdom

Tel: +44 (0) 2380 229844
+44 (0) 2380 220511
Fax: +44 (0) 2380 232928
Web: www.phase3plastics.co.uk
email: info@phase3plastics.co.uk



Based in Southampton Phase 3 Plastics is ideally placed on the south coast with excellent transport links throughout the UK and Europe.

For further information telephone +44 (0)2380 229844 or 220511.



MEDICAL

THERMOFORMED PACKAGING

Phase 3 Plastics design and manufacture customised thermoformed packaging and product handling systems for the Medical Device and Pharmaceutical Industry.

Nowhere are the stringent requirements of cleanliness, consistency and continuing performance more important than in the medical industry – and nowhere is it more important to work with a company that understands those needs.

We offer a product which provides the practical solutions to packaging needs using the latest CAD, computer tooling and clean room technology, we are confident that our experience and expertise offer the best possible service from initial concept to final result.

Phase 3 Plastics is ISO 9001 accredited.



CAD Computer Aided Design

Working in partnership with the customer, Phase 3 Plastics team of designers provide a knowledgeable approach to every assignment to translate your needs into a working prototype.

Using the most suitable materials selected for subsequent sterilisation processes and other design criteria, drawings and programs are then produced on CAD systems in preparation for prototyping and final tooling production.

In the hands of our designers this technology enables us to create the most simple or intricate of packaging from initial concept to final design.



CNC Computer Numerical Control



Continuing our commitment to consistency and production excellence, Phase 3 Plastics utilises state of the art computerised tooling eliminating any margin for error.

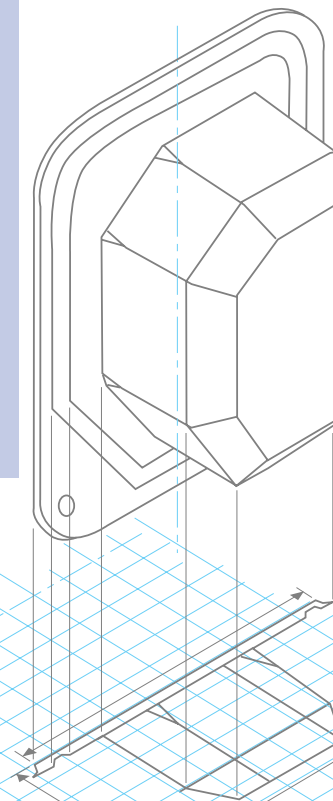
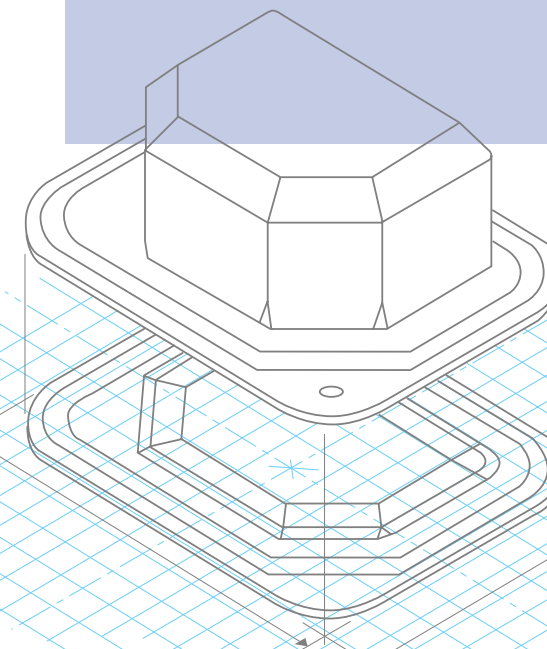
This system also enhances the speed and flexibility of production. When necessary, precision tooling can be produced at short notice enabling us to meet urgent, unscheduled orders without compromising quality.



CLEAN ROOM Surgically Sterile

With our CLASS J (class 10,000) facility our hi-speed, in-line automatic machines, operating under international and British Standards, we are able to produce multi-cavity formings for sterile applications.

We also provide ancillary services, including filling and sealing blister packs, supplying a comprehensive solution to medical packaging needs.



MEDICAL